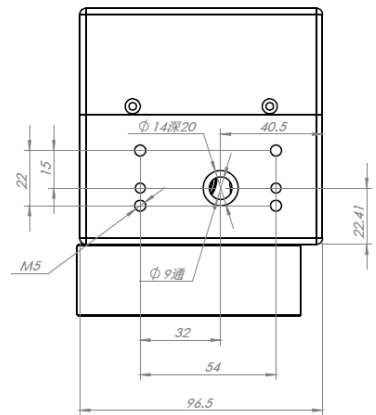
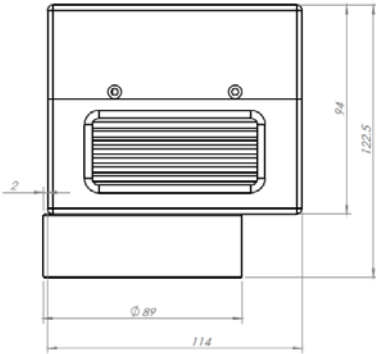


# Scan Heads



- No drift
- High speed
- Low temperature
- Compact structure
- Convenient installation
- Anti-interference ability



## Specifications:

### SPECIFICATIONS

Load the lens	10mm
Small step for a long phase step time	0.5ms (co2 = 0.6)
The input voltage	AC 220V 50HZ
Power supply	±15V
linearity	99.90%
Angle of deflection	±15°
Operating temperature	0°C ~ 45°C

### Position detector parameters

linearity	99.99%
Range	±20°
Proportion of drift	maximum 40PPM/°C
Zero drift	maximum 10μRad
Repeat accuracy	5μRad